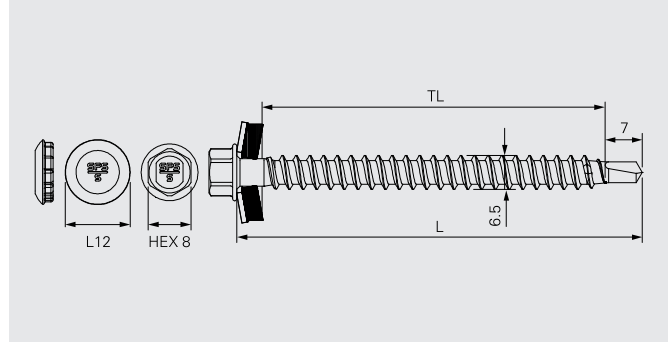
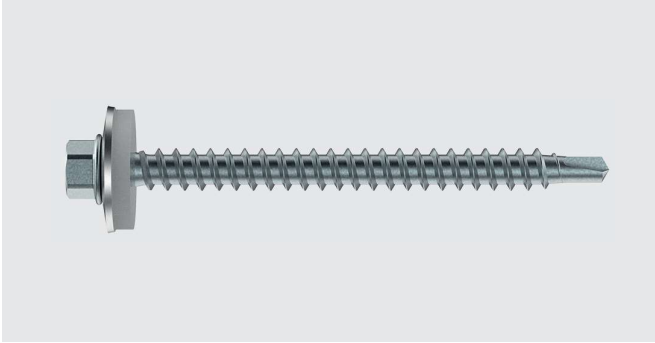


SXW-6.5



Application

Fastening of profile sheets onto timber
 Fastening of sandwich panels onto timber (hidden fixing)

Component 1 (t _I)		Component 2 (t _{II})		Σ _{max} t _I +t _{II}
Steel	0.50–1.50	Timber	≥35.0	–
Aluminium	0.50–1.50	–	–	–
Sandwich	–	–	–	–

Fastener material

Austenitic stainless steel A2
 Sealing washer: Austenitic stainless steel A2, EPDM-seal

Approvals

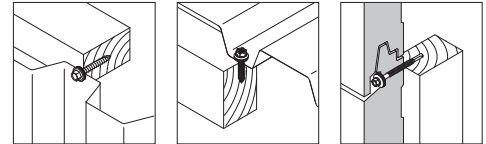


Features and Benefits

- Self drilling fastener suitable for installation of profile sheets and sandwich panels
- High quality EPDM sealing washer for long-term weather sealing
- Reduced risks of wood splitting given by the drill point

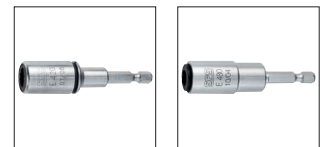
Documentation

Approval document (ETA) | Declaration of performance (DoP)



Fastener in A2 onto steel and timber

Product code	PU	L	TL	S16	S19
SXW-S16-6,5×52-A2	250	52	40	1123138	1123139
SXW-S16-6,5×75-A2	250	75	63	1069319	1107866
SXW-S16-6,5×99-A2	250	99	78	1110537	1098610
SXW-L12-S16-6,5×52-A2	250	52	40	–	1133037



Accessories/Ancillaries

Product code	PU	
Socket E480	10	688056
Socket E420	1	973316